

PRO RAIN

Made by BAUER



PRO RAIN

The economic way to irrigate – compact,

F30 F40

Best cost-performance ratio

Fully automated irrigation by means of computer technology

Highly economical because of very low energy demand

Operational safety thanks to high quality components

Very stable in value due to hot dip galvanization

**Manufactured according to the well known
BAUER quality norms**

Pendulum equalizer

For gentle irrigation at the end of the strips and for uneven terrain

Automatic cart lift

At the end of the irrigated strip the cart is lifted into transport position

Hydraulic machine supports

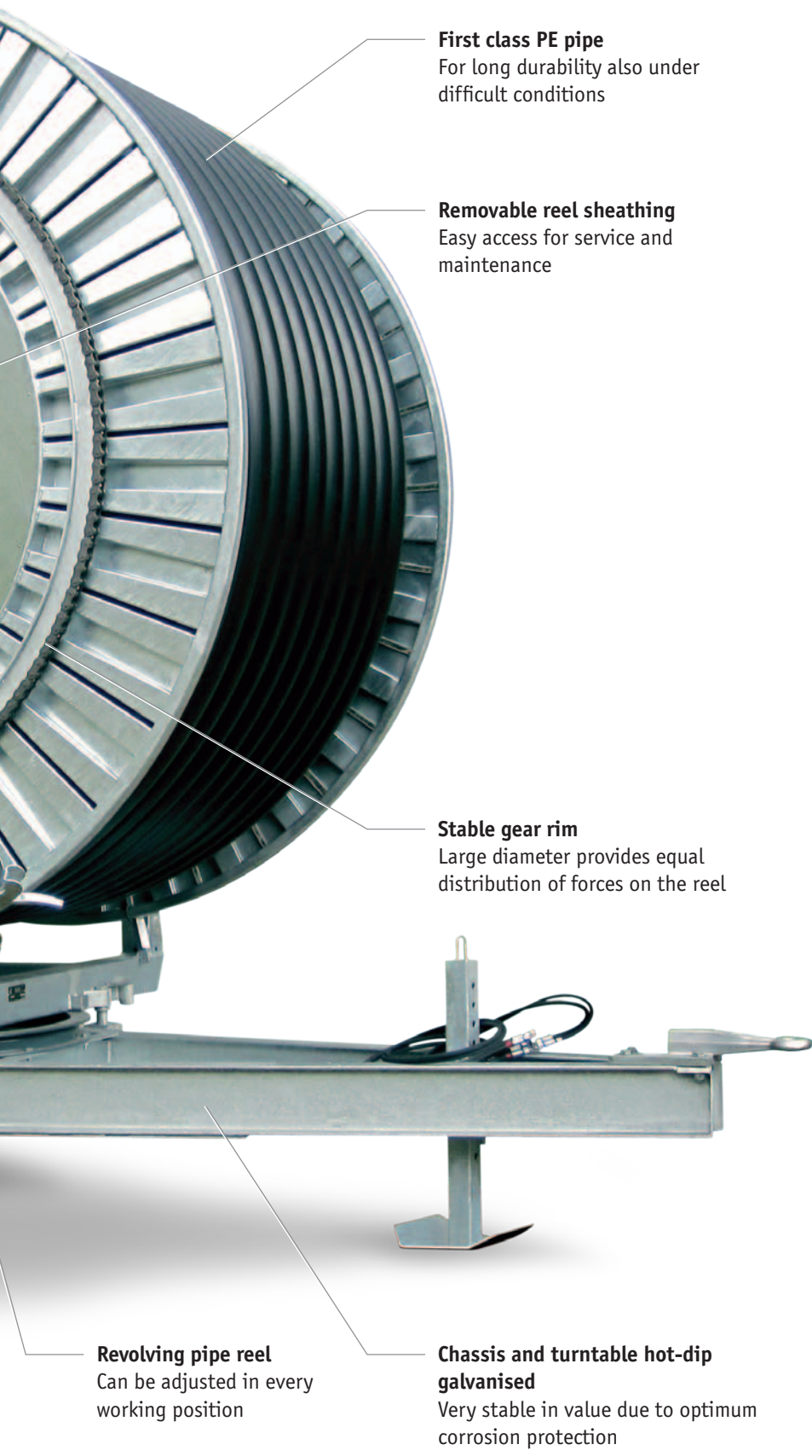
Easily operated, optimum stabilization when lifting the cart

4 speed gearbox/turbine combination

Easy to handle, electronic control, for exact precipitation rates

Representative photo PRORAIN with accessories

economical, flexible



First class PE pipe
For long durability also under difficult conditions

Removable reel sheathing
Easy access for service and maintenance

Stable gear rim
Large diameter provides equal distribution of forces on the reel

Revolving pipe reel
Can be adjusted in every working position

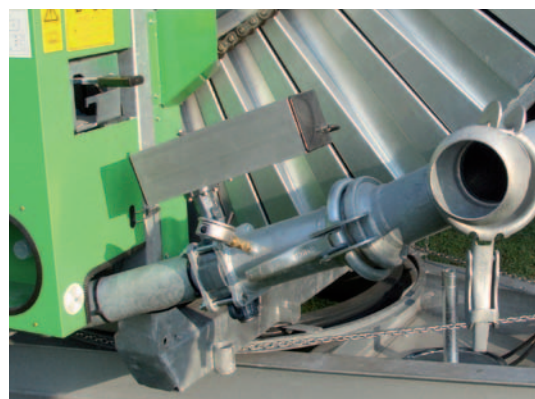
Chassis and turntable hot-dip galvanised
Very stable in value due to optimum corrosion protection



PRO RAIN
A compact irrigation machine for different ground types



Ecostar 4000 S
Irrigation computer provides exact demand of required precipitation rate



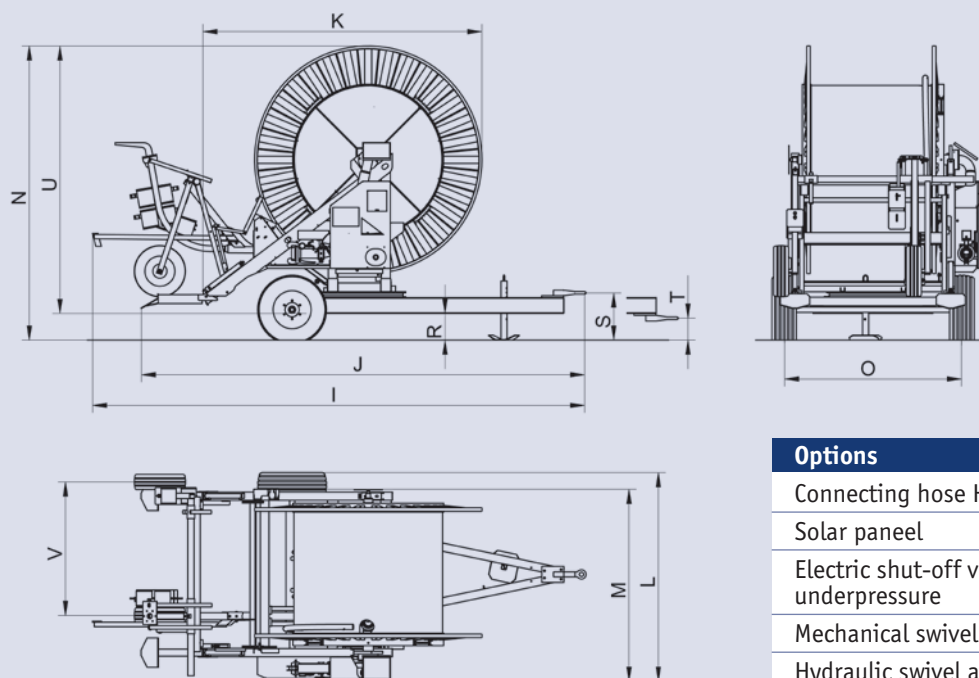
Shut-off valve
Optimum safety thanks to automatic shut-off of the system in case of over- or underpressure



Option: swivel aid – mechanical or hydraulic
For easy swivelling of the reel even on uneven grounds

Technical data PRORAIN	type	F 30			F 40		
		90 – 450	100 – 400	100 – 450	100 – 540	110 – 500	120 – 370
PE pipe Ø x length	mm x m	90 x 450	100 x 400	100 x 450	100 x 540	110 x 500	120 x 370
Max. strip length	m	500	450	500	590	550	420
Turbine	type	DTU - 742 M			DTU - 742 M		
Connection pressure	bar	6.0 – 11.0			6.0 – 11.0		
Total weight incl. water*	kg	4 838	5 117	5 509	4 685	6 997	6 430
Total weight without water*	kg	2 851	2 868	3 047	3 716	3 812	3 598
Total length incl. cart	(I) mm	5 562			5 700		
Total length without cart	(J) mm	5 010			5 144		
Transport length – 2 machines	(K) mm	2 750 – 3 153			2 820 – 3 221		
Max. width	(L) mm	2 340			2 540		
Transport width	(M) mm	2 157			2 372		
Total height	(N) mm	3 320			3 442		
Track width chassis	(O) mm	2 000			2 200		
Wheels chassis	dimension	10.0 / 75 - 15.3 / 12 Ply			11.5 / 80 - 15.3 / 12 Ply		
Tire pressure chassis	bar	6.0			5.5		
Crop clearance	(R) mm	300			327		
Height of coupling ring, standard	(S) mm	530			557		
Height of coupl. ring, lower adding	(T) mm	250			227		
Transport height	(U) mm	3.020			3.115		
Track width cart	(V) mm	1 500 – 2 000			1 500 – 2 000		
Wheels cart	dimension	165 / 70 R 13			165 / 70 R 13		
Tire pressure cart	bar	1.3			1.3		

*) Total weight with PE pipe, cart, sprinkler and 6 cart weights



Options

Connecting hose HK 108/7m

Solar panel

Electric shut-off valve for over- and underpressure

Mechanical swivel aid

Hydraulic swivel aid

Sprinkler SIME Reflex

Sprinkler BAUER SR 140

Presented by

BAUER GmbH, Röhren- und Pumpenwerk
Kowaldstraße 2, 8570 Voitsberg, Austria
T +43-3142-200-0, F +43-3142-200-320
sales@bauer-at.com, www.bauer-at.com